



 **KARNI**TM
ALUFAB
Absolute SEG solutions

● www.alusign.in

ABOUT US:

KarniAlufab is one of the leading manufacturers of aluminium framing profiles and textile frames for both LED-lit and non-lit SEG displays. With an experience of around 7 years, KarniAlufab has gained superior expertise for manufacturing aluminium frames, accessories, and silicone edge fabric graphics for retailers, exhibitors and corporate environments.

KarniAlufab offers a wide range of products and accessories suitable for every branding and display requirement. With detailed customization being their strength, KarniAlufab has over 28 different extrusion profiles, multiple lighting options, and comprehensive colour selections, delivering the clients exactly what they want.

The core values at KarniAlufab are innovation, quality, and integrity. KAF is committed to:

- a) Manufacturing excellent quality products, using latest technology in line with the current industry requirements,
- b) Delivering flawlessly finished, totally safe products in quick time with adaptable transportation policies at the most practical cost.



Aluminum Display Profile
Making Brand Right

Understanding SEG

Silicone edge graphic (SEG) is a high-resolution, UV printed graphic and dye-sublimated soft fabric, finished with a thin silicone beading sewn around its edges. The fabric fits into a narrow groove around the aluminium frame. Once inserted, the material stretches taut, giving the print a smooth, crease-free appearance. Doing away with all the limitations of rigid metal framing systems, SEGs are quickly becoming the most-preferred method of branding and advertising. Bright and bold, the graphic print stands out with dramatic contrast and colours that catch your eye.



Benefits of installing SEG framing systems :

▶ Premium appearance

The finished frame gives off a modern, stylish look that can elevate your brand's appeal. Also, they are suitable for signage in high-end establishments like luxury hotels, premium lounges, etc.

▶ Economical

The fabric costs much less than traditional vinyl material. Moreover, shipping and transportation costs are significantly reduced due to its lightweight and foldable properties.

▶ High customization

SEG frames can be easily designed according to the unique needs of the client.

▶ Flexibility

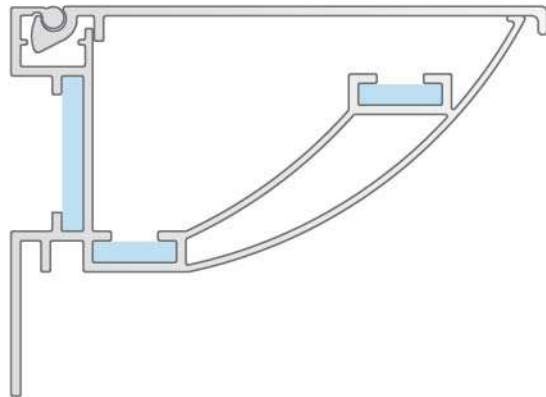
Graphics can be changed easily and as many times as the client wants without unnecessary expenses.

▶ Versatile applications

SEGs are suitable for both indoor and outdoor environments for a variety of purposes.



K - 83 FACADE



4 PCS



4 PCS



4 PCS



SS HALF U SPRING

Product description :

80mm side-snap aluminum profile is designed under triangle mechanics, specially for large size engineering fabric light box, it will keep the shape under great stress. Frameless design in the front, breaks through advertising vision limit, 100% perfect poster and maximize advertising display. It is very easy to change poster and perfect appearance in the form of hiding the accessories, such as shrapnel, slide fastener... inside of the aluminum profile. This aluminum profiles are widely used for airports, high-speed rail, shopping malls and other large size indoor/outdoor advertising.

Application

Standard	Indoor & Outdoor usage
Signage	Frame system, POP display, Light Boxes
Display	Retail Fixtures, Kiosk Systems, Trade Shows, Customs Interiors

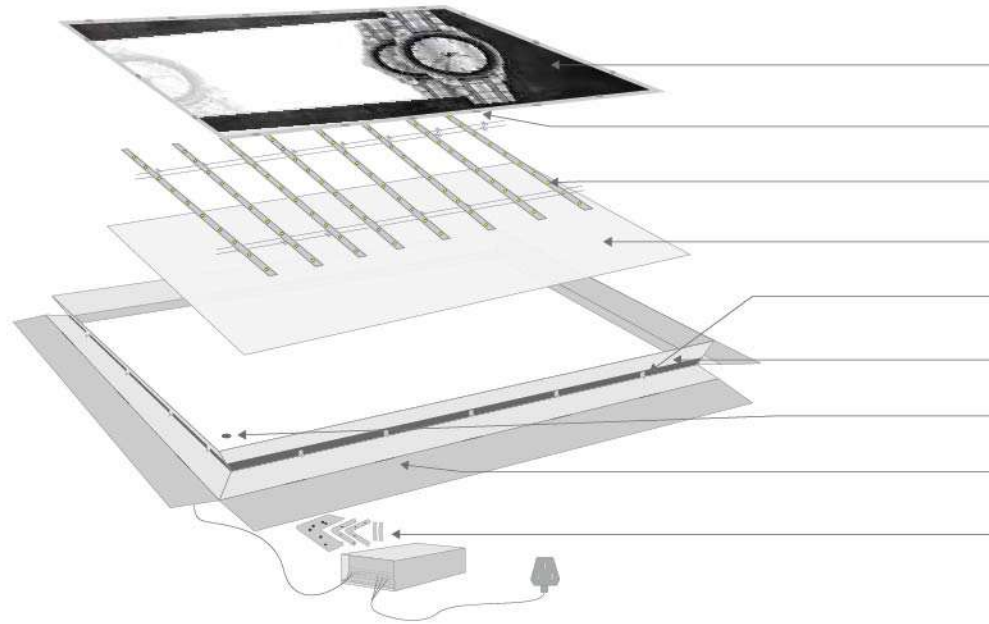
Print Media

- ▶ PVC Flex & Fabric

Specification

Specification	BASE	COVER
Aluminium Alloy-6063-T6		
Depth	83 mm	82.10 mm
Frame Face / Thickness	1.5 mm	1.5 mm
Side Options	Single Side	
Length	4.0 mtrs / 5.0 mtrs	
Surface	Silver Satin Anodised Other Surface on Demand	
Lighting	Back - lit	

Extrusion Frame
 Fabric Graphic
 Accessories



Installation

- | |
|-----------------------------|
| PVC Backlit Flex |
| MS Framing |
| LED Lattice Light |
| Back Panel |
| Slide Fastener |
| Side-snap Aluminum Profile |
| External Power Supply Wire |
| Shrapnel |
| Corner Connector & Shrapnel |
| Power Supply |

Fabric & PVC Backlit Flex Mounting Option

- ▶ Cable Tie with Rivet
- ▶ MS Framing Structure

Application



Backlit



Single Side



Free Standing

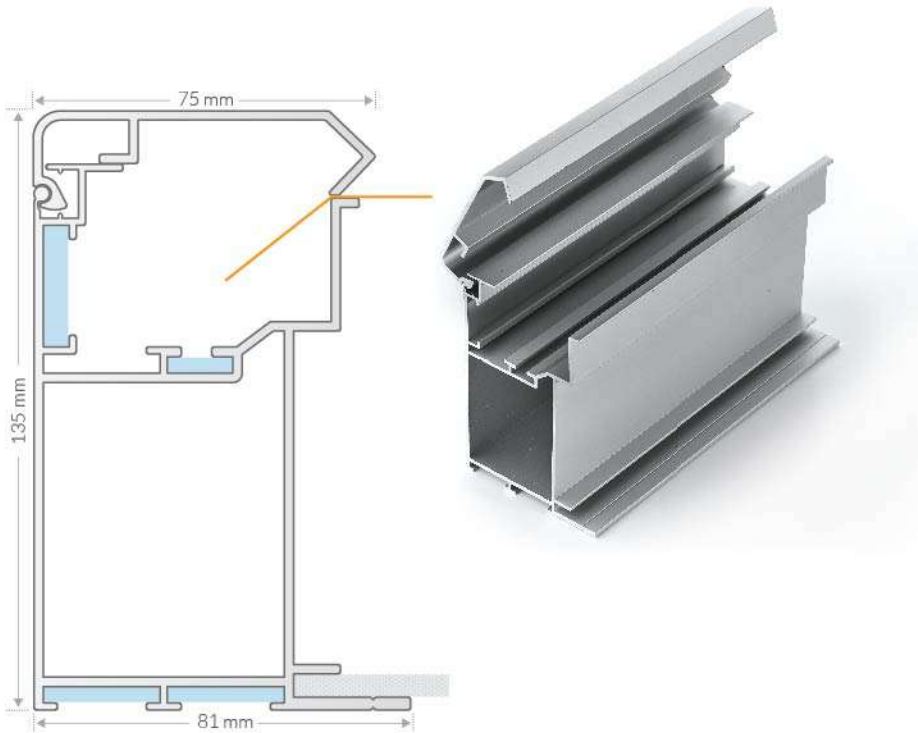


Wall Structure



Crowd Control

K - 130 FACADE



Product description :

130mm Front Snap aluminum profile is designed under triangle mechanics, specially for large size engineering fabric & PVC Backlit flex light box, it will keep the shape under great stress. Frameless design in the front, breaks through advertising vision limit, 100% perfect poster and maximize advertising display. It is very easy to change poster and perfect appearance in the form of hiding the accessories, such as shrapnel, slide fastener... inside of the aluminum profile. This aluminum profiles are widely used for airports, high-speed rail, shopping malls and other large size indoor/outdoor advertising.

Application

Standard	Indoor & Outdoor usage
Signage	Frame system, POP display, Light Boxes
Display	Retail Fixtures, Kiosk Systems, Trade Shows, Customs Interiors

Print Media

- ▶ PVC Flex & Fabric

Specification

Specification	BASE	COVER
Aluminium Alloy-6063-T6		
Depth	117 mm	75 mm
Frame Face / Thickness	2 mm	2 mm
KG. / MTR	2.40	0.710
Side Options	Single Side	
Length	4.0 mtrs / 5.0 mtrs	
Surface	Silver Satin Anodised Other Surface on Demand	
Lighting	Back - lit	



4 PCS



4 PCS

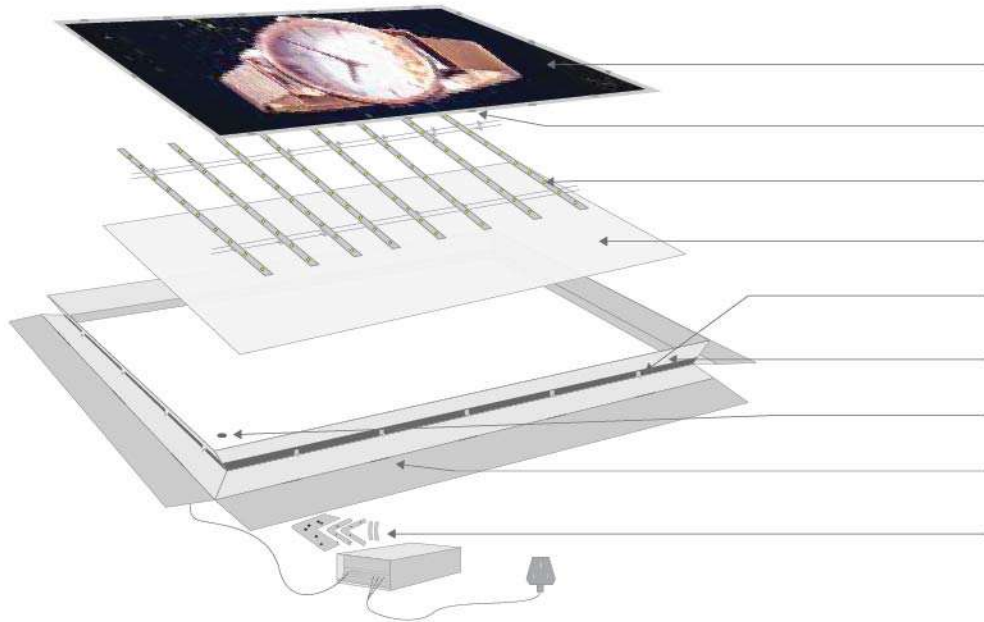


4 PCS



SS HALF
U SPRING

Extrusion Frame
 Fabric Graphic
 Back Panel
 Accessories



Installation

- Fabric Poster
- Pull Fastener Hole
- LED Lattice Light
- Back Panel
- Slide Fastener
- Side-snap Aluminum Profile
- External Power Supply Wire
- Shrapnel
- Corner Connector & Shrapnel
- Power Supply

Application



Backlit



Single Side



Free Standing



Wall Structure

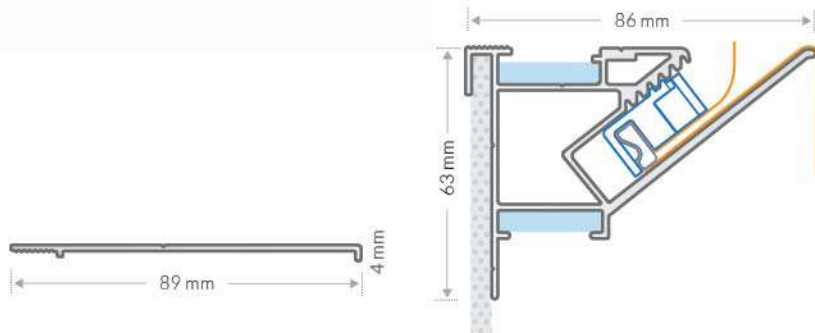


Crowd Control

K-90S TF (Tension facade)



Tension Clip



Application

Standard	Indoor & out door use
Signage	Frame system
Display	Hotel, Shopping mall, Airport, Retails

Print Media

- ▶ Flex & Fabric With Tension Clip

Specification

Aluminium Alloy-6063-T6		
Depth	90 mm	
Thickness	1.80 mm	
Kg. / Mtr.	Profile	Kg./mtr
	Base	1.500
	CLIP	0.400
Side Options	Single Sided	
Length	4m & 5m custum length also availabale	
Surface	Silver Satin Anodise Other Surafce on Demand	
Lighting	Backlit	

Extrusion Frame
 Tension Clip
 Fabric Graphic

Back Panel
 Accessories

Application



Backlit



Single Side



Wall Mount

K-140D TF (Tension facade)

Application

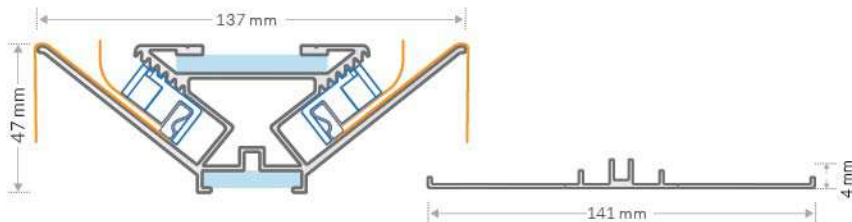
Standard	Indoor & out door use
Signage	Frame system
Display	Hotel, Shopping mall, Airport, Retails

Print Media

- ▶ Flex & Fabric With Tension Clip

Specification

Aluminium Alloy-6063-T6		
Depth	142 mm	
Thickness	2.0 mm	
Kg. / Mtr.	Profile	Kg./mtr
	Base	2.100
	CLIP	0.735
Side Options	Single Sided	
Length	4m & 5m custum length also availabale	
Surface	Silver Satin Anodise Other Surafce on Demand	
Lighting	Backlit & Edgelit	



Application



Backlit



Double Sided



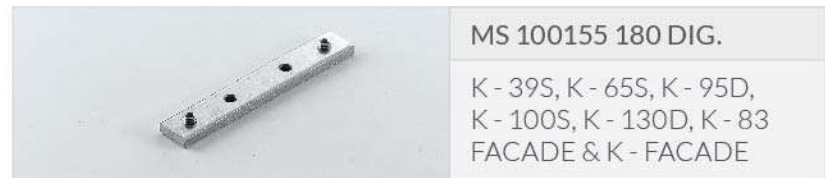
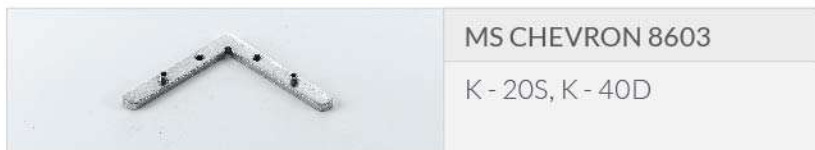
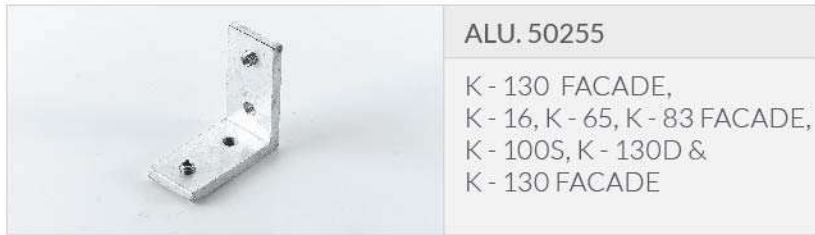
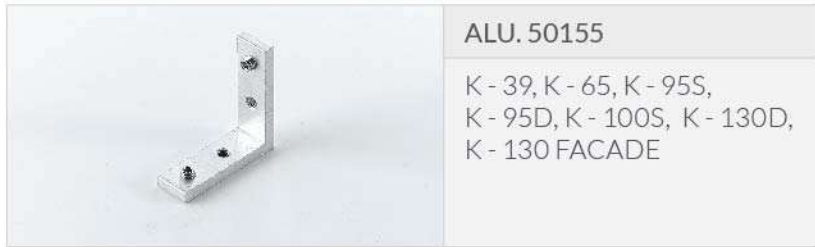
Wall Mount



Free Standing



Suspended Display

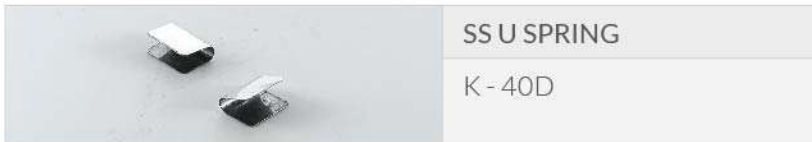




MS 2002531 180 DIG.
K - 23S & K - 83 FACADE



ABS CUBE JONT CORNER
K - 65S & K - 65 CUBE



SS U SPRING
K - 40D



SS HALF U SPRING
K - 20 SNAP, K - 83 FACAD,
K - 130 FACADE



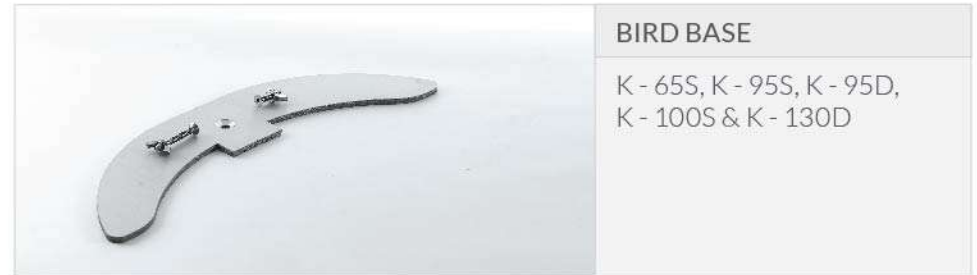
WALL MOUNT
K - 16 OVAL



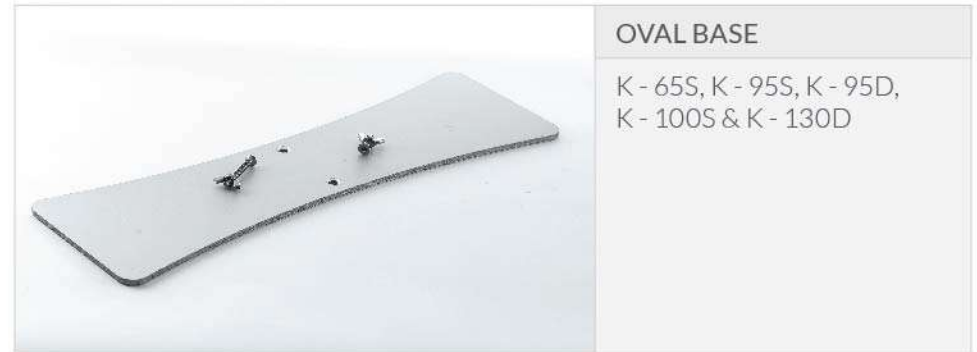
PURE SILICON
15 X 3 MM



DELTA BASE
K - 65S, K - 95S, K - 95D,
K - 100S & K - 130D



BIRD BASE
K - 65S, K - 95S, K - 95D,
K - 100S & K - 130D

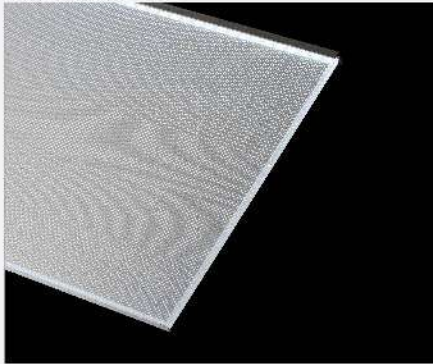


OVAL BASE
K - 65S, K - 95S, K - 95D,
K - 100S & K - 130D



SS GRUB SCREW
SS L & KEY

K - LGP



Understanding LGP Sheets :

Definition of LED Light Sheet The unique construction of LED Light Sheet harnesses a number of patented processes which unite to create an innovative lighting unit. Produced by combining high intensity LEDs with a patented 3D V-Cutting system, this process allows light to be transmitted uniformly and evenly across the acrylic surface of the unit. A unified backlighting unit, LED Light Sheet features thermally managed LEDs which are securely embedded inside an acrylic sheet. This second patented process delivers a unit which is robustly constructed and easily installed in comparison to traditional backlighting units in which LED modules are fixed externally to an acrylic sheet. Each LED Light Sheet unit is manufactured in the UK by Applelec to bespoke requirements.

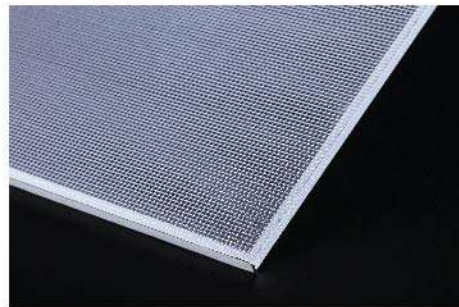
HEAT SINK

HEAT SINK While cool to the touch, LEDs collect heat internally. Unless this heat is released, it can cause the LEDs to change color. Panels may then look inconsistent. Our patented heat sink shifts heat away from the LED panel better than competitors' versions. This is because only K-LGP heat sink is integrated with the LED panel, instead of in a frame surrounding it.



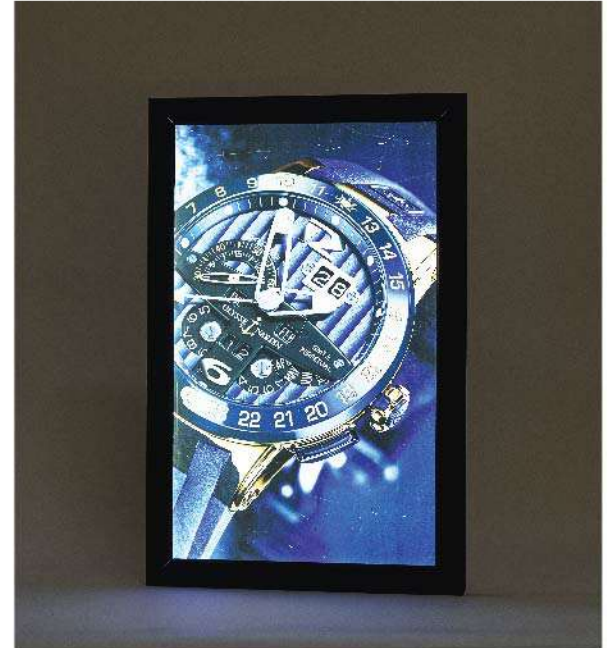
LGP

3D V-CUTTING V-cutting is a patented process that gives K-LGP the grid look it's known for. It creates an evenly lit panel from the edges to the center and lets us produce large panels. How it works: a light is embedded into the sides of an acrylic panel. Grooves are then etched across the acrylic, connecting the light from one end of the panel to the other. They are widely spaced when close to the light source, and narrowly spaced when farther away. The placement of these grooves is different for every panel.



FEATURES

- ▶ Available in custom sizes
- ▶ Full color customization
- ▶ Suitable for large scale surfaces
- ▶ High brightness (up to 10 000 lux)
- ▶ High CRI available
- ▶ Long LED lifespan (50 000+ hours)
- ▶ Rigid structure
- ▶ Easy to hang
- ▶ Energy saving and maintenance free (70% energy savings over traditional lighting)
- ▶ Superior consistent light quality
- ▶ Advanced 3-year warranty





FACTORY

Plot-3, Plot-4, 311, Villaage Vasodara, Sanand, Sanand,
AHMEDABAD, Ahmedabad, Gujarat, 382210.

M : +91 70432 16740

E : karnialufab@gmail.com

W : www.alusign.in





REG. OFFICE

I-201, Indraprasth-05, Opp. Sky Heritage,
Nr. Prahladnagar AUDA Garden,
Prahladnagar, Ahmedabad-380015.

M : +91 70432 16740

E : karnialufab@gmail.com

W : www.alusign.in

