



 **KARNI**<sup>TM</sup>  
ALUFAB  
Absolute SEG solutions

● [www.alusign.in](http://www.alusign.in)

## ABOUT US :

KarniAlufab is one of the leading manufacturers of aluminium framing profiles and textile frames for both LED-lit and non-lit SEG displays. With an experience of around 7 years, KarniAlufab has gained superior expertise for manufacturing aluminium frames, accessories, and silicone edge fabric graphics for retailers, exhibitors and corporate environments.

KarniAlufab offers a wide range of products and accessories suitable for every branding and display requirement. With detailed customization being their strength, KarniAlufab has over 28 different extrusion profiles, multiple lighting options, and comprehensive colour selections, delivering the clients exactly what they want.

**The core values at KarniAlufab are innovation, quality, and integrity. KAF is committed to:**

- a) Manufacturing excellent quality products, using latest technology in line with the current industry requirements,
- b) Delivering flawlessly finished, totally safe products in quick time with adaptable transportation policies at the most practical cost.



**Aluminum Display Profile**  
Making Brand Right

## Understanding SEG

Silicone edge graphic (SEG) is a high-resolution, UV printed graphic and dye-sublimated soft fabric, finished with a thin silicone beading sewn around its edges. The fabric fits into a narrow groove around the aluminium frame. Once inserted, the material stretches taut, giving the print a smooth, crease-free appearance. Doing away with all the limitations of rigid metal framing systems, SEGs are quickly becoming the most-preferred method of branding and advertising. Bright and bold, the graphic print stands out with dramatic contrast and colours that catch your eye.



## Benefits of installing SEG framing systems :

### ► Premium appearance

The finished frame gives off a modern, stylish look that can elevate your brand's appeal. Also, they are suitable for signage in high-end establishments like luxury hotels, premium lounges, etc.

### ► Economical

The fabric costs much less than traditional vinyl material. Moreover, shipping and transportation costs are significantly reduced due to its lightweight and foldable properties.

### ► High customization

SEG frames can be easily designed according to the unique needs of the client.

### ► Flexibility

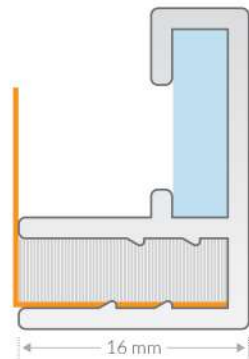
Graphics can be changed easily and as many times as the client wants without unnecessary expenses.

### ► Versatile applications

SEGs are suitable for both indoor and outdoor environments for a variety of purposes.



# K - 16S



4 PCS

## Application

Standard	Indoor usage
Signage	Frame system, POP display
Display	Home & Offices Display, Custom Interiors, Architectural for Small space

## Print Media

- ▶ Textile fabric media with silicon strip
- ▶ Dye-Sublimated / Latex / UV

## Specification

Aluminium Alloy-6063-T6	
Depth	16 mm
Thickness	2 mm
Kg. / Mtr.	0.268
Side Options	Single Side Application
Length	4.0 mtrs / 5.0 mtrs
Surface	Silver Satin Anodised Other Surface on Demand
Lighting	Non - lit & LGP

Extrusion Frame
  Silicon Edge
  Fabric Graphic
  Accessories

## Application



Nonlit



Single Side

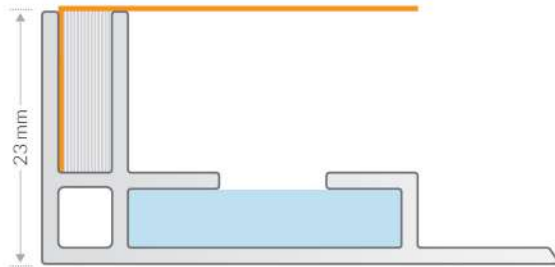


Wall Mount



LGP

# K - 23S



4 PCS

## Application

Standard	Indoor Usage
Signage	Frame System, POP display
Display	Home & Offices Display, Custom Interiors, Architectural for Large space

## Print Media

- ▶ Textile fabric media with silicon strip
- ▶ Dye-Sublimated / Latex / UV

## Specification

Aluminium Alloy-6063-T6	
Depth	23 mm
Thickness	1.5 mm
Kg. / Mtr.	0.475
Side Options	Single Side Application
Length	4.0 mtrs / 5.0 mtrs
Surface	Silver Satin Anodised Other Surface on Demand
Lighting	Non - lit & LGP

Extrusion Frame
  Silicon Edge
  Fabric Graphic
  Accessories

## Application



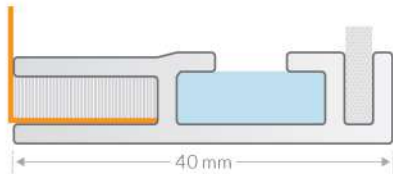
Nonlit

Single Side

Wall Mount

LGP

# K - 39S



4 PCS

## Application

Standard	Indoor usage
Signage	Frame system, POP display, Light Boxes
Display	Retail Environment, Kiosk Systems, Trade Shows, Customes Interiors for Cabinet

## Print Media

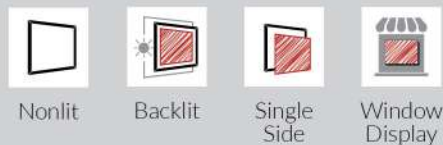
- ▶ Textile fabric media with silicon strip
- ▶ Dye-Sublimated / Latex / UV

## Specification

Aluminium Alloy-6063-T6	
Depth	40 mm
Thickness	2 mm
Kg. / Mtr.	0.465
Side Options	Single Side Application
Length	4.0 mtrs / 5.0 mtrs
Surface	Silver Satin Anodised Other Surafce on Demand
Lighting	Backlit



## Application



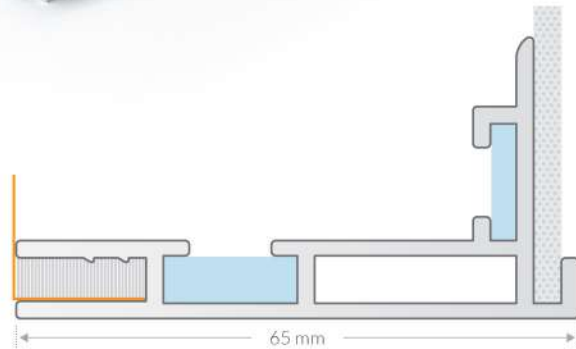
Nonlit

Backlit

Single Side

Window Display

# K - 65S



4 PCS



4 PCS

## Application

Standard	Indoor usage
Signage	Frame system, POP display, Light Boxes
Display	Retail Fixtures, Kisok Systems, Trade Shows, Custom Interiors

## Print Media

- ▶ Textile fabric media with silicon strip
- ▶ Dye-Sublimated / Latex / UV

## Specification

Aluminium Alloy-6063-T6	
Depth	65 mm
Thickness	2 mm
Kg. / Mtr.	0.845
Side Options	Single Side Application
Length	4.0 mtrs / 5.0 mtrs
Surface	Silver Satin Anodised Other Surface on Demand
Lighting	Backlit & Edge - lit

Extrusion Frame
  Silicon Edge
  Fabric Graphic

Back Panel
  Accessories

## Application



Backlit



Single Side



Wall Mount

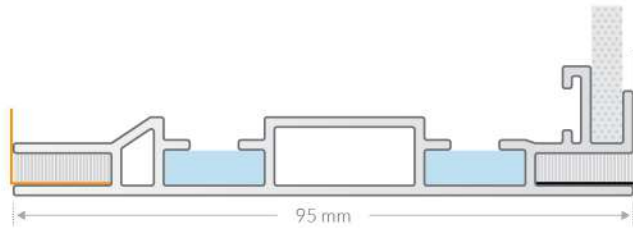


Free Standing



Suspended Display

# K - 95S



8 PCS

## Application

Standard	Indoor usage
Signage	Frame system, POP display, Light Boxes
Display	Retail Fixtures, Kisok Systems, Trade Shows, Custom Interiors

## Print Media

- ▶ Textile fabric media with silicon strip
- ▶ Dye-Sublimated / Latex / UV

## Specification

Aluminium Alloy-6063-T6	
Depth	95 mm
Thickness	1.5 mm
Kg. / Mtr.	0.980
Side Options	Single & Dual Side Application
Length	4.0 mtrs / 5.0 mtrs
Surface	Silver Satin Anodised Other Surface on Demand
Lighting	Backlit & Edge - lit

Extrusion Frame	Silicon Edge	Fabric Graphic
Back Panel	Accessories	Block Out Fabric Graphic

## Application



Backlit



Single Side



Wall Mount



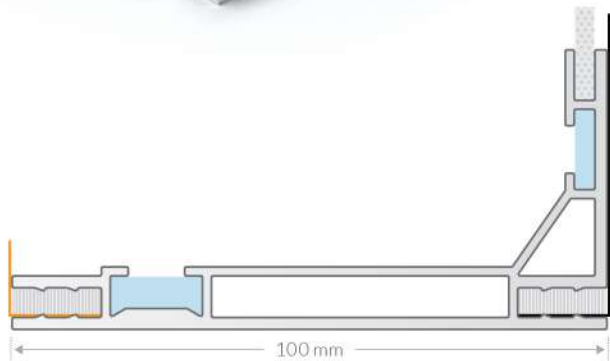
Free Standing



Suspended Display



# K - 100S



4 PCS

4 PCS

## Application

Standard	Indoor usage
Signage	Frame system, POP display, Light Boxes
Display	Retail Fixtures, Kisok Systems, Trade Shows, Custom Interiors

## Print Media

- ▶ Textile fabric media with silicon strip
- ▶ Dye-Sublimated / Latex / UV

## Specification

Aluminium Alloy-6063-T6	
Depth	100 mm
Thickness	2 mm
Kg. / Mtr.	1.460
Side Options	Single Side Application
Length	4.0 mtrs / 5.0 mtrs
Surface	Silver Satin Anodised Other Surface on Demand
Lighting	Backlit & Edge - lit

- Extrusion Frame
- Silicon Edge
- Fabric Graphic
- Back Panel
- Accessories
- Block Out Fabric Graphic

## Application



Backlit



Single Side



Wall Mount

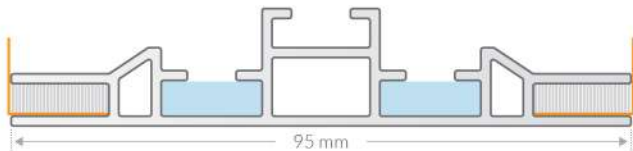


Free Standing



Suspended Display

# K - 95D



8 PCS

## Application

Standard	Indoor usage
Signage	Frame system, POP display, Light Boxes
Display	Free Standing & Suspended Display

- ▶ Smaller size double side - max. 1m x any length

## Print Media

- ▶ Textile fabric media with silicon strip
- ▶ Dye-Sublimated / Latex / UV

## Specification

Aluminium Alloy-6063-T6	
Depth	95 mm
Thickness	1.5 mm
Kg. / Mtr.	0.990
Side Options	Double Side Application
Length	4.0 mtrs / 5.0 mtrs
Surface	Silver Satin Anodised Other Surface on Demand
Lighting	LED Edge - lit

Extrusion Frame
  Silicon Edge
  Fabric Graphic

Back Panel
  Accessories

## Application



Backlit



Double Side



Free Standing

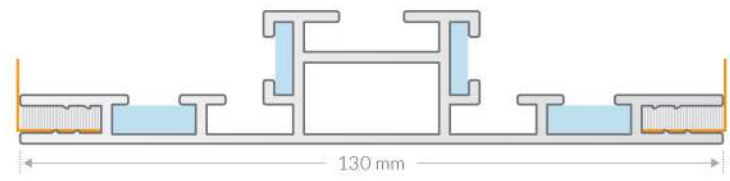


Window Display



Suspended Display

# K - 130D



8 PCS      8 PCS

## Application

Standard	Indoor usage
Signage	Frame system, POP display, Light Boxes
Display	Retail Fixtures, Kisok Systems, Trade Shows, Custom Interiors

▶ Any size can be done - 3mm X any Length

## Print Media

- ▶ Textile fabric media with silicon strip
- ▶ Dye-Sublimated / Latex / UV

## Specification

Aluminium Alloy-6063-T6	
Depth	130 mm
Thickness	2 mm
Kg. / Mtr.	1.700
Side Options	Double Side Application
Length	4.0 mtrs / 5.0 mtrs
Surface	Silver Satin Anodised Other Surface on Demand
Lighting	LED Edge - lit

Extrusion Frame   
  Silicon Edge   
  Fabric/Graphic   
  Accessories

## Application



Backlit



Double Side



Free Standing

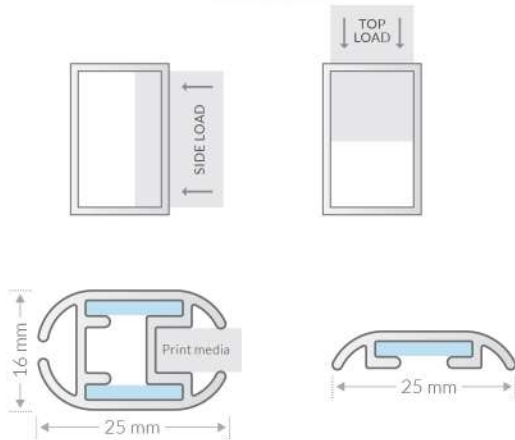


Window Display



Suspended Display

# K - 16 OVAL



8 PCS



WALL MOUNT

Top Wall Mount  
Bottom Wall Mount

Extrusion Frame    Accessories

## Application

Standard	Indoor usage
Signage	Frame system, POP display
Display	Retail Fixtures, Cube, Trade Shows, Custom Interiors, Wall Mount, Hanging

## Print Media

- ▶ PVC Foam Sheet, ACP, Acrylic (5 mm)

## Specification

**BASE - 16**

**COVER - 5**

Aluminium Alloy-6063-T6		
Depth	16 mm	5 mm
Thickness	1.5 mm	1.5 mm
Kg. / Mtr.	0.350	0.145
Side Options	Single & Dual Side	
Length	4.0 mtrs / 5.0 mtrs	
Surface	Silver Satin Anodised Other Surface on Demand	
Lighting	Non - lit	

## Application



Nonlit



Single Side



Double Side



Wall Mount

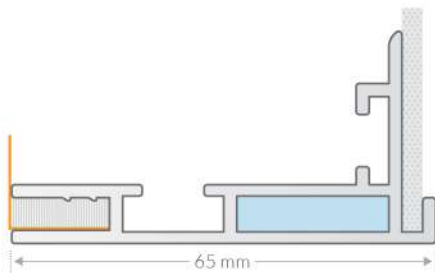
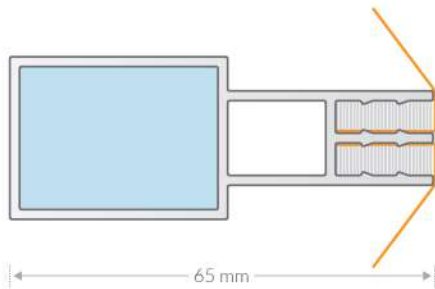
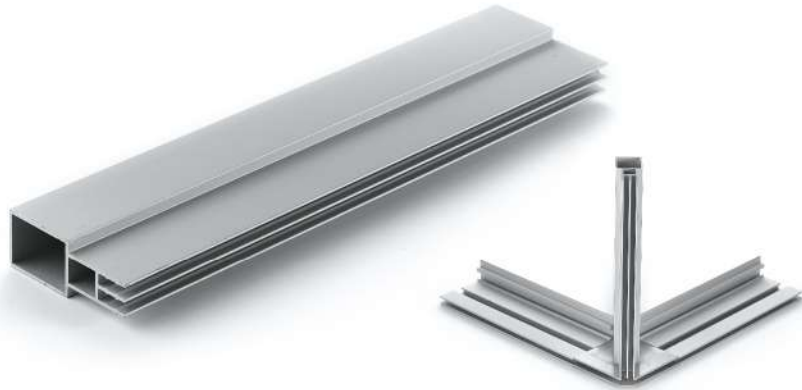


Suspended Display



Crowd Control

# K - 65 CUBE



K - CUBE CORNER



8 PCS

## Application

Standard	Indoor Usage
Signage	Frame System, POP display
Display	Retail Fixtures, Kiosk Systems, Trade Shows Custom Interiors

## Print Media

▶ Fabric Media

▶ Both profiles have to be cut at 90° and the corner connector of ABS is to be inserted.

## Specification

	K65 CUBE	K65S
Aluminium Alloy-6063-T6		
Depth	65 mm	65 mm
Thickness	2 mm	2 mm
Kg. / Mtr.	0.850	0.870
Side Options	Cube, 2 Sided, 3 Sided	
Length	4.0 mtrs / 5.0 mtrs	
Surface	Silver Satin Anodised Other Surface on Demand	
Lighting	Backlit	
Usage	K - 65 Cube Vertical use / 4 pcs K - 65 Horizontal use / 8 pcs	

-  Extrusion Frame
-  Silicon Edge
-  Fabric Graphic
-  Back Panel
-  Accessories

## Application



Nonlit



Backlit



Four Sided



Pillar  
Wrap

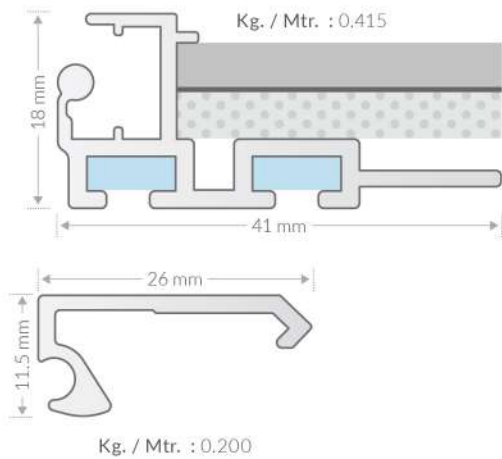


Suspended  
Display








Crowd  
Control

## K - 20S SNAP

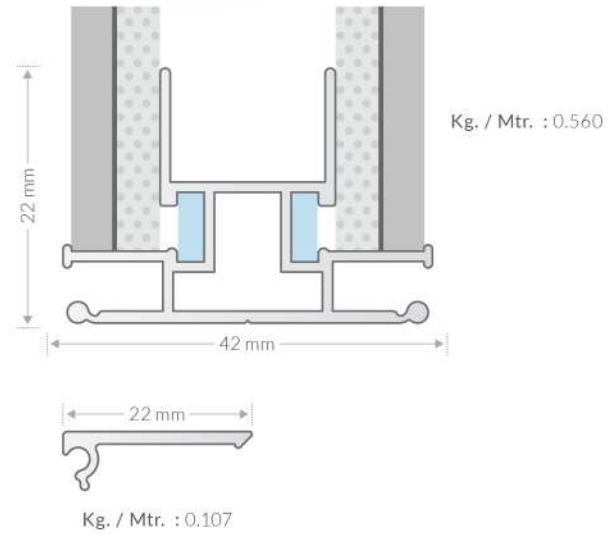


8 PCS

SS HALF  
U SPRING

-  Extrusion Frame
-  Back Panel
-  Accessories
-  LGP
-  Reflector paper

## K - 40D SNAP



8 PCS

SS U SPRING

-  Extrusion Frame
-  Back Panel
-  Accessories
-  LGP
-  Reflector paper

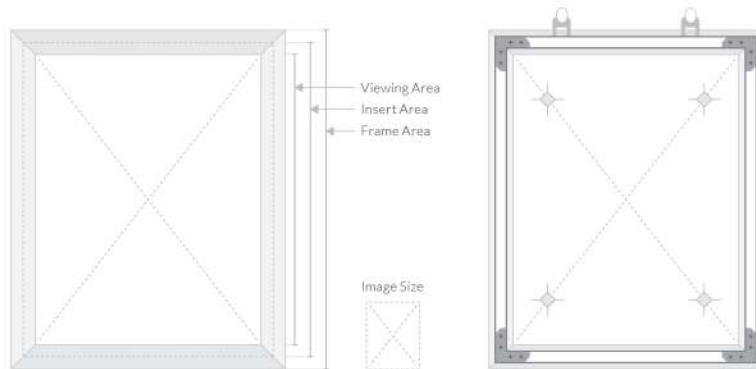
## Standard Pre - Fabricated Sizes (K - 20 S)

MODEL	INSERT SIZE	FRAME SIZE	AMPS	POWER
ES8511	8.5" X 11"	9.75" X 12.25"	0.34A	4.1W
ES1117	11" X 17"	12.25" X 18.25"	0.52A	63.W
ES1722	17" X 22"	18.25" X 2.25"	0.68A	8.1W
ES2228	22" X 28"	23.25" X 29.25"	1.72A	20.7W
ES2436	27" X 36"	25.25" X 37.25"	2.22A	26.6W
ES2448	24" X 48"	25.25" X 49.25"	2.95A	35.4W
ES3648	36" X 48"	37.25" X 49.25"	2.95A	35.4W

\* **Brightness** : Apx 2800 to 3200 Lux

## Karni AluFab Standard Pre-Fab Size Frames give you the following Advantages

- ▶ Quick turnaround
- ▶ Always available
- ▶ More economical then custom sizes
- ▶ 3 year warrantly
- ▶ Customs size
- ▶ Outstanding brightness
- ▶ Evan lighting



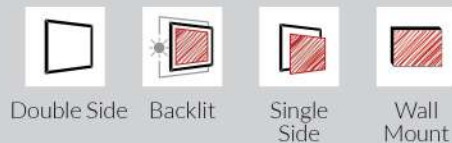
## Specification

### K - 20S

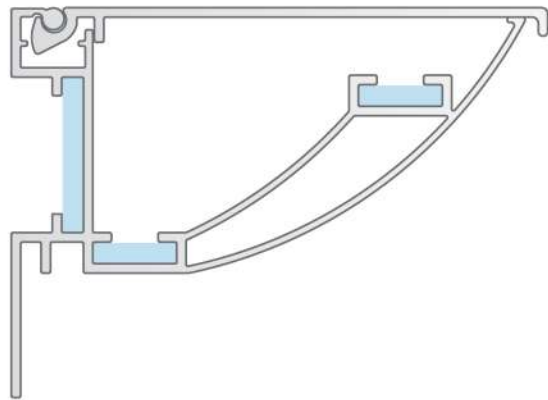
### K - 40D

Side	Single Side	Double Side
Frame Thickness	20 mm	47 mm
Frame Width	26 mm	22 mm
Minimum Size	210 x 254 mm	305 x 305 mm
Maximum Size	915 x 2400	
Light Guide Panel (LGP)	3 mm & 5 mm Acrylic (PMMA) with V Cut Groove	
Frame / Color	Anodise Aluminium / Silver and Black	
Open / Close	Snapfront Open / Close	
Mounting	Wall Mount by Mou. Clip	Suspending bt wire or road
Weight	1.30 / Sq. Ft	1.80 / Sq. Ft
Input Voltage	D.C 12 Volt / AC 100~240v, 50/60Hz	
Luminous Efficiency (White LED)	105 lm/W	
LED Side	Smaller Size - 1 edge, Big Size-2long edge & Bigger Size 4edges	
LED Color Temp.	6500k	
Power Coad / Supply	18watt / Mtrs	
Dimming	By external dimmer ( Optional )	
Operating Temp.	-22°F (-30°C) ~ 104°F (+40°C)	
Environment	Suitable for indoor and dry location	

## Application



# K - 83 FACADE



4 PCS



4 PCS



4 PCS



SS HALF U SPRING

## Product description :

80mm side-snap aluminum profile is designed under triangle mechanics, specially for large size engineering fabric light box, it will keep the shape under great stress. Frameless design in the front, breaks through advertising vision limit, 100% perfect poster and maximize advertising display. It is very easy to change poster and perfect appearance in the form of hiding the accessories, such as shrapnel, slide fastener... inside of the aluminum profile. This aluminum profiles are widely used for airports, high-speed rail, shopping malls and other large size indoor/outdoor advertising.

## Application

Standard	Indoor & Outdoor usage
Signage	Frame system, POP display, Light Boxes
Display	Retail Fixtures, Kiosk Systems, Trade Shows, Customs Interiors

## Print Media

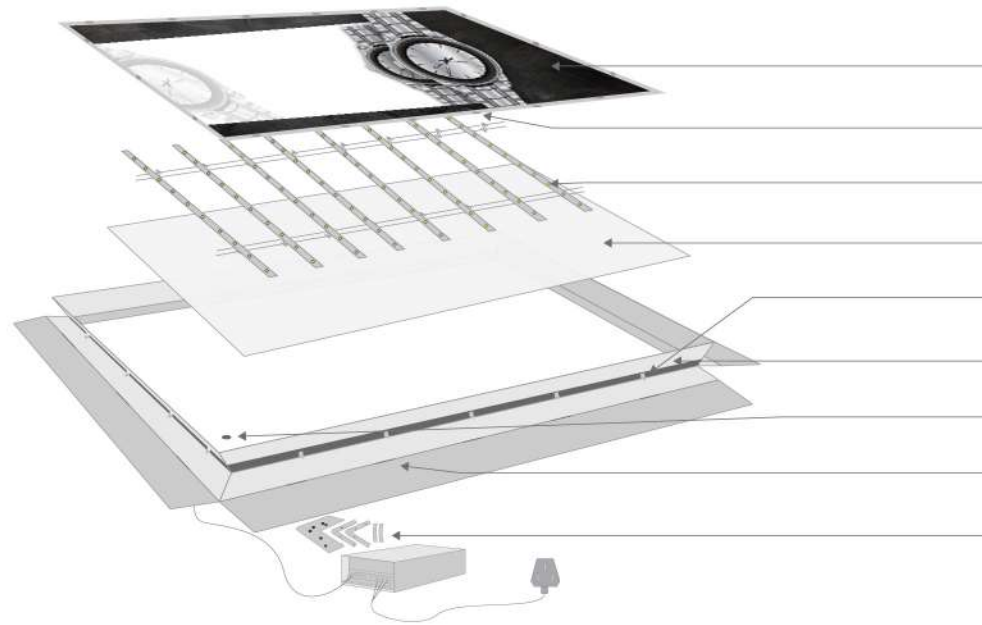
- ▶ PVC Flex & Fabric

## Specification

Specification	BASE	COVER
Aluminium Alloy-6063-T6		
Depth	83 mm	82.10 mm
Frame Face / Thickness	1.5 mm	1.5 mm
Side Options	Single Side	
Length	4.0 mtrs / 5.0 mtrs	
Surface	Silver Satin Anodised Other Surface on Demand	
Lighting	Back - lit	

Extrusion Frame
  Fabric Graphic
  Accessories





## Installation

- PVC Backlit Flex
- MS Framing
- LED Lattice Light
- Back Panel
- Slide Fastener
- Side-snap Aluminum Profile
- External Power Supply Wire
- Shrapnel
- Corner Connector & Shrapnel
- Power Supply

### Fabric & PVC Backlit Flex Mounting Option

- ▶ Cable Tie with Rivet
- ▶ MS Framing Structure

## Application



Backlit



Single Side



Free Standing



Wall Structure



Crowd Control

# K - 130 FACADE

## Product description :

130mm Front Snap aluminum profile is designed under triangle mechanics, specially for large size engineering fabric & PVC Backlit flex light box, it will keep the shape under great stress. Frameless design in the front, breaks through advertising vision limit, 100% perfect poster and maximize advertising display. It is very easy to change poster and perfect appearance in the form of hiding the accessories, such as shrapnel, slide fastener... inside of the aluminum profile. This aluminum profiles are widely used for airports, high-speed rail, shopping malls and other large size indoor/outdoor advertising.

## Application

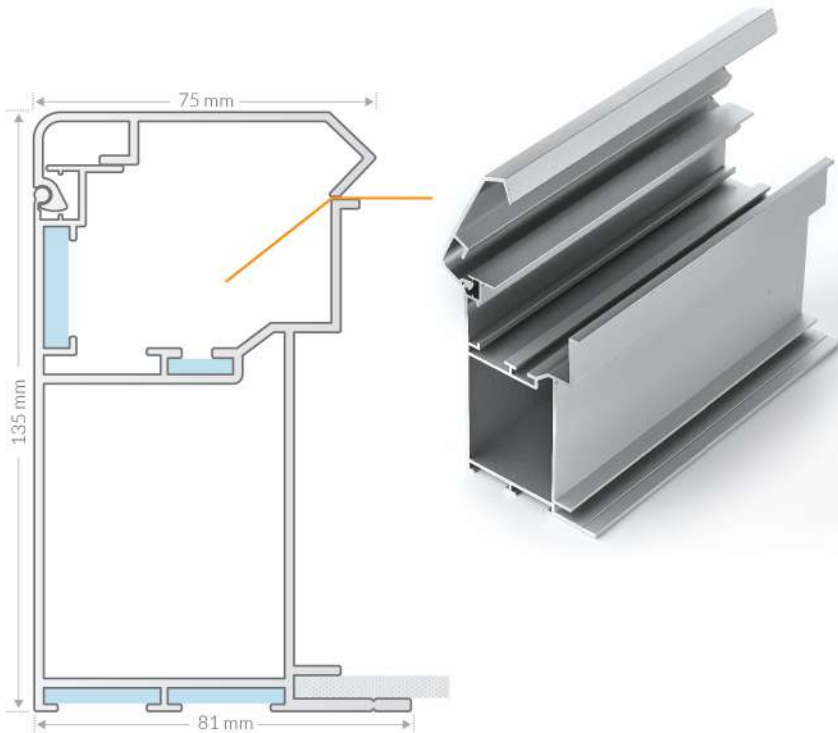
Standard	Indoor & Outdoor usage
Signage	Frame system, POP display, Light Boxes
Display	Retail Fixtures, Kiosk Systems, Trade Shows, Customs Interiors

## Print Media

- ▶ PVC Flex & Fabric

## Specification

Specification	BASE	COVER
Aluminium Alloy-6063-T6		
Depth	117 mm	75 mm
Frame Face / Thickness	2 mm	2 mm
KG. / MTR	2.40	0.710
Side Options	Single Side	
Length	4.0 mtrs / 5.0 mtrs	
Surface	Silver Satin Anodised Other Surface on Demand	
Lighting	Back - lit	



4 PCS



4 PCS



4 PCS



SS HALF  
U SPRING

Extrusion Frame
  Fabric Graphic
  Back Panel
  Accessories



## Installation

- Fabric Poster
- Pull Fastener Hole
- LED Lattice Light
- Back Panel
- Slide Fastener
- Side-snap Aluminum Profile
- External Power Supply Wire
- Shrapnel
- Corner Connector & Shrapnel
- Power Supply

## Application



Backlit



Single Side



Free Standing



Wall Structure

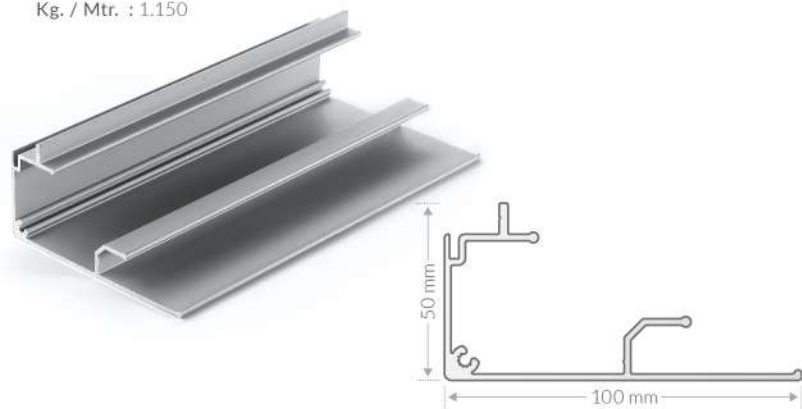


Crowd Control

# K - TOTEM

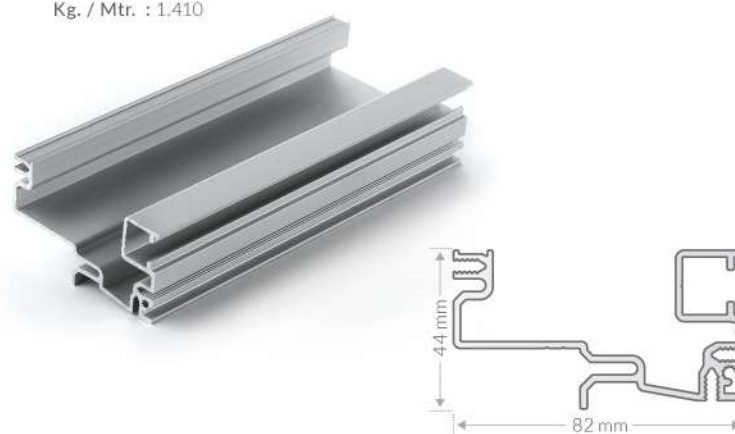
## K-TOT100 COVER

Kg. / Mtr. : 1.150



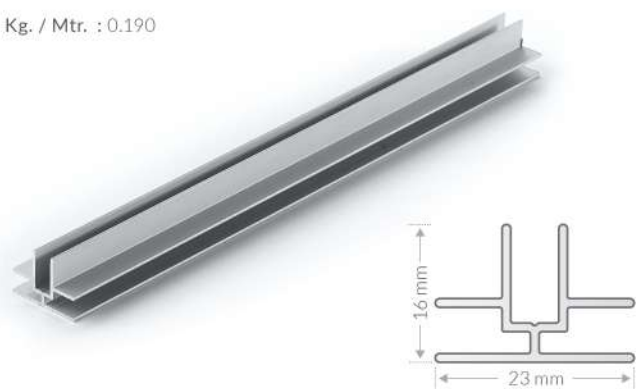
## K-TOT83 BASE

Kg. / Mtr. : 1.410



## K-TOT23 CO

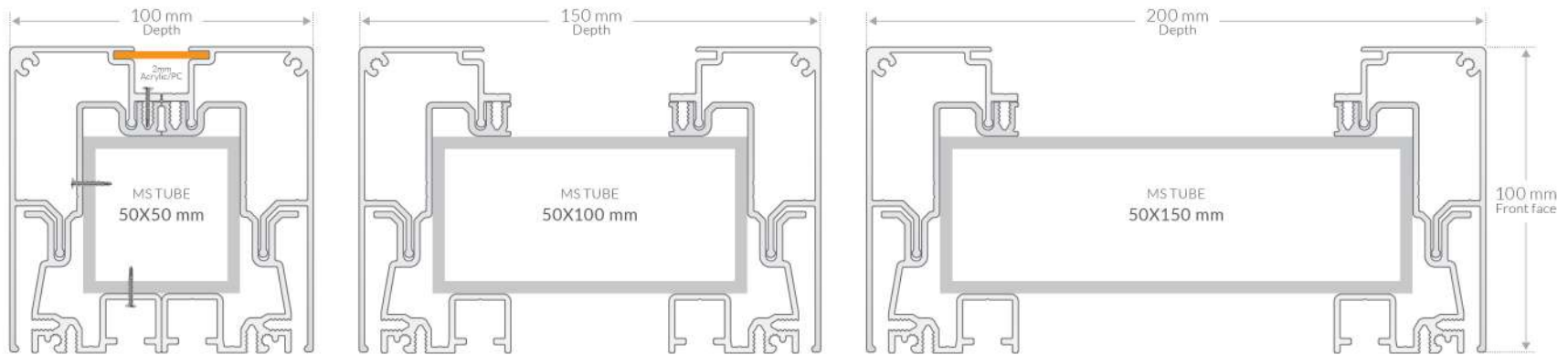
Kg. / Mtr. : 0.190



## K-TOT26 T/B

Kg. / Mtr. : 0.225





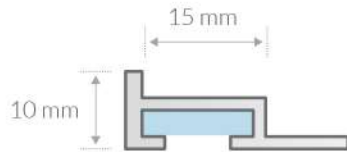
**Totem** is an extremely intelligent profile system that consists of one basic profile and three decorative cover profiles (rectangular, elliptical and rounded) that are mounted on a frame.

The system allows you to determine the depth (10, 15 or 20 cm), material (aluminium or steel) size and wall thickness of the interior structure of the totem. This makes it possible to construction strong totems of up to 6 meters high.

The profiles and panels are attached with hidden screws. The totems are easy to maintain and update because the panels can be lifted out and inserted effortlessly.



# KWF - 10S



4 PCS

## Application

Standard	Indoor use
Signage	Frames systems
Display	Hotel, Shopping mall, Airport, Retail shop, Cloud control

## Print Media

- ▶ ACP
- ▶ ACRYLIC

## Specification

Aluminium Alloy-6063-T6	
Depth	10 mm
Thickness	2 mm
Kg. / Mtr.	0.193
Side Options	Single Sided
Length	4.0 mtrs
Surface	Silver Satin Anodised Other Surface on Demand
Lighting	Nonlit & LGP

Extrusion Frame
  Accessories

## Application



Nonlit



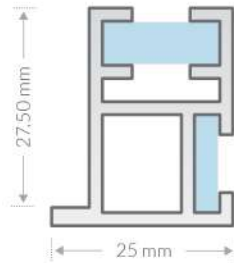
Way Finding



Crowd Control

**★ NEW PRODUCT**

# KWF - 25S



4 PCS



4 PCS

## Application

Standard	Indoor use
Signage	Frames systems
Display	Hotel, Shopping mall, Airport, Retail shop, Cloud control

## Print Media

- ▶ ACP
- ▶ ACRYLIC

## Specification

Aluminium Alloy-6063-T6	
Depth	25 mm
Thickness	2 mm
Kg. / Mtr.	0.600
Side Options	Single Sided
Length	4.0 mtrs
Surface	Silver Satin Anodised Other Surface on Demand
Lighting	Non lit & Edge lit & LGP

Extrusion Frame
  Accessories

## Application



Backlit



Single Side



Wall Mount



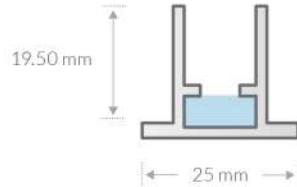
Free Standing



Suspended Display

**★ NEW PRODUCT**

# KWF - 25D



4 PCS

## Application

Standard	Indoor use
Signage	Frames systems
Display	Hotel, Shopping mall, Airport, Retail shop, Cloud control

## Print Media

- ▶ ACP
- ▶ ACRYLIC

## Specification

Aluminium Alloy-6063-T6	
Depth	25 mm
Thickness	2 mm
Kg. / Mtr.	0.350
Side Options	Double Sided
Length	4.0 mtrs
Surface	Silver Satin Anodised Other Surface on Demand
Lighting	Nonlit & LGP

Extrusion Frame
  Accessories

## Application



Backlit



Double Side



Free Standing

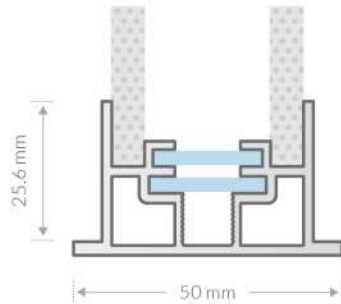


Suspended Display

**★ NEW PRODUCT**



# KWF - 50D



8 PCS

## Application

Standard	Indoor use
Signage	Frames systems
Display	Hotel, Shopping mall, Airport, Retail shop, Cloud control

## Print Media

- ▶ ACP
- ▶ ACRYLIC

## Specification

Aluminium Alloy-6063-T6	
Depth	25 mm
Thickness	2 mm
Kg. / Mtr.	0.860
Side Options	Double Sided
Length	4.0 mtrs
Surface	Silver Satin Anodised Other Surface on Demand
Lighting	Nonlit & Edge lit & LGP

Extrusion Frame
  Accessories
  Back Panel

## Application



Backlit



Double Side



Free Standing



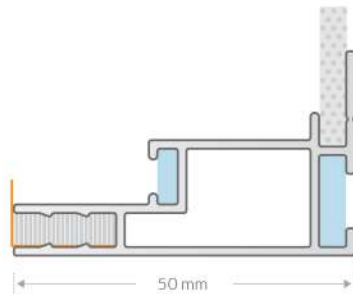
Window Display



Suspended Display

**★ NEW PRODUCT**

# K - 50S Eco



4 PCS

4 PCS

## Application

Standard	Indoor use
Signage	Frames systems
Display	Hotel, Shopping mall, Airport, Retail shop, Cloud control

## Print Media

- ▶ Textile Fabric media with silicon stich

## Ink Type

- ▶ UV & Dye Sublimation

## Specification

Aluminium Alloy-6063-T6	
Depth	50 mm
Thickness	1.25 mm
Kg. / Mtr.	0.550
Side Options	Single Sided
Length	4.0 mtrs
Surface	Silver Satin Anodised Other Surface on Demand
Lighting	Backlit & Edge lit

- Extrusion Frame
- Silicon Edge
- Fabric Graphic
- Back Panel
- Accessories

## Application



Backlit



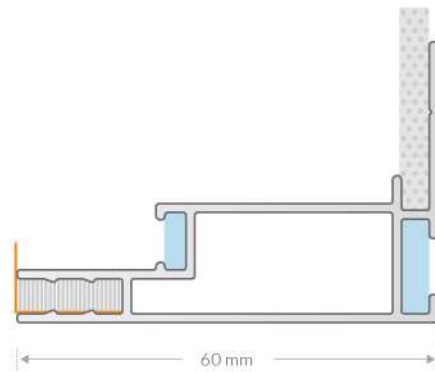
Single Side



Wall Mount

**★ NEW PRODUCT**

# K - 60S Eco



4 PCS

4 PCS

## Application

Standard	Indoor use
Signage	Frames systems
Display	Hotel, Shopping mall, Airport, Retail shop, Cloud control

## Print Media

- ▶ Textile Fabric media with silicon stich

## Ink Type

- ▶ UV & Dye Sublimation

## Specification

Aluminium Alloy-6063-T6	
Depth	60 mm
Thickness	1.25 mm
Kg. / Mtr.	0.650
Side Options	Single Sided
Length	4.0 mtrs
Surface	Silver Satin Anodised Other Surface on Demand
Lighting	Backlit & Edge lit

 Extrusion Frame	 Silicon Edge	 Fabric Graphic
 Back Panel	 Accessories	

## Application



Backlit



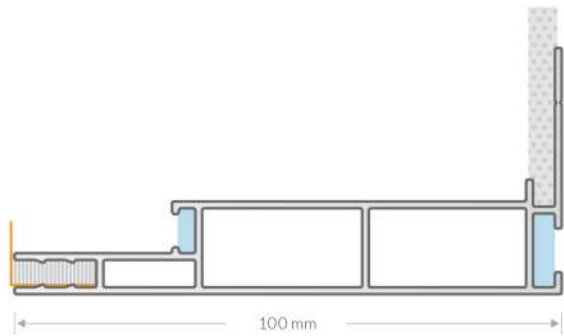
Single Side



Wall Mount

★ NEW PRODUCT

# K - 100S Eco



4 PCS

4 PCS

## Application

Standard	Indoor use
Signage	Frames systems
Display	Hotel, Shopping mall, Airport, Retail shop, Cloud control

## Print Media

- ▶ Textile Fabric media with silicon stich

## Ink Type

- ▶ UV & Dye Sublimation

## Specification

Aluminium Alloy-6063-T6	
Depth	100 mm
Thickness	1.25 mm
Kg. / Mtr.	0.990
Side Options	Single Sided
Length	4.0 mtrs
Surface	Silver Satin Anodised Other Surface on Demand
Lighting	Backlit & Edge lit

- Extrusion Frame
- Silicon Edge
- Fabric Graphic
- Back Panel
- Accessories

## Application



Backlit



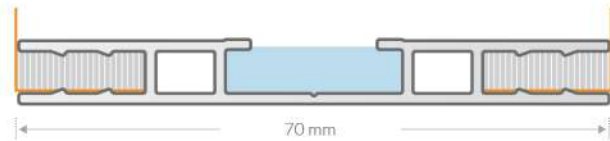
Single Side



Wall Mount

**★ NEW PRODUCT**

# K - 70D Eco



8 PCS

## Application

Standard	Indoor use
Signage	Frames systems
Display	Hotel, Shopping mall, Airport, Retail shop, Cloud control

## Print Media

- ▶ Textile Fabric media with silicon stich

## Ink Type

- ▶ UV & Dye Sublimation

## Specification

Aluminium Alloy-6063-T6	
Depth	70 mm
Thickness	1.25 mm
Kg. / Mtr.	0.860
Side Options	Double Sided
Length	4.0 mtrs
Surface	Silver Satin Anodised Other Surafce on Demand
Lighting	Edge lit

Extrusion Frame
  Silicon Edge
  Fabric Graphic

Back Panel
  Accessories

## Application



Backlit



Double Side



Free Standing



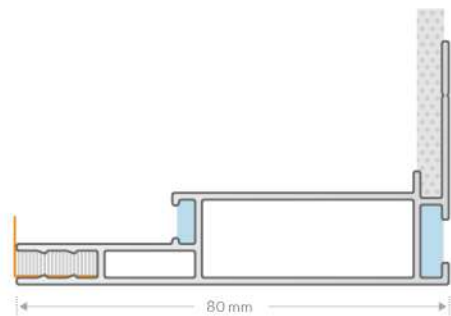
Window Display



Suspended Display

**★ NEW PRODUCT**

# K - 80S Eco



4 PCS

4 PCS

## Application

Standard	Indoor use
Signage	Frames systems
Display	Hotel, Shopping mall, Airport, Retail shop, Cloud control

## Print Media

- ▶ Textile Fabric media with silicon stich

## Ink Type

- ▶ UV & Dye Sublimation

## Specification

Aluminium Alloy-6063-T6	
Depth	80 mm
Thickness	1.25 mm
Kg. / Mtr.	0.800
Side Options	Single Sided
Length	4.0 mtrs
Surface	Silver Satin Anodised Other Surafce on Demand
Lighting	Backlit & Edge lit

Extrusion Frame
  Silicon Edge
  Fabric Graphic

Back Panel
  Accessories

## Application



Backlit



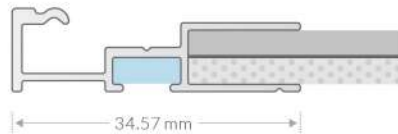
Single Side



Wall Mount

**★ NEW PRODUCT**

# K - P2



4 PCS



SS HALF U SPRING

## Application

Standard	Indoor use
Signage	Frames systems
Display	Hotel, Shopping mall, Airport, Retail shop, Cloud control

## Print Media

▶ TRANSLIT

## Ink Type

▶ UV & Dye

## Specification

Aluminium Alloy-6063-T6	
Depth	12 mm
Thickness	1.25 mm
Kg. / Mtr.	0.350
Side Options	Single Sided
Length	3.60 mtrs
Lighting	LPG

## Available Surface Colors

- Silver
- Black
- Golden
- Rose Gold
- Other colors on demand

- Extrusion Frame
- Back Panel
- Accessories
- LPG
- Reflector paper

## Application



Backlit

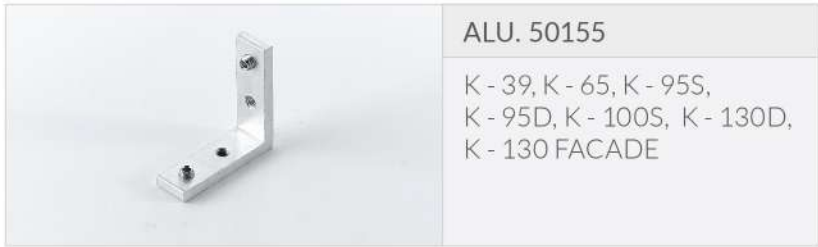


Single Side



Wall Mount

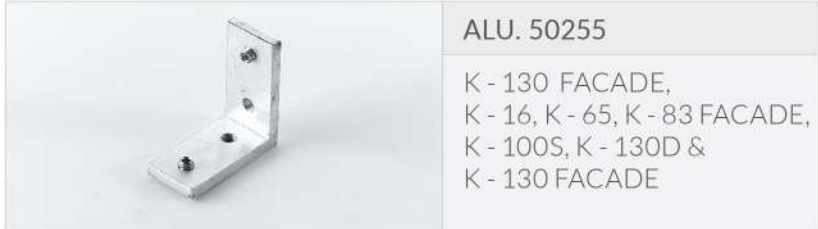
★ NEW PRODUCT



**ALU. 50155**  
K - 39, K - 65, K - 95S,  
K - 95D, K - 100S, K - 130D,  
K - 130 FACADE



**ALU. 35155**  
K - 39, K - 65, K - 95S,  
K - 95D, K - 100S,  
K - 130D, K - 130 FACADE



**ALU. 50255**  
K - 130 FACADE,  
K - 16, K - 65, K - 83 FACADE,  
K - 100S, K - 130D &  
K - 130 FACADE



**MS CHEVRON 60143**  
K - 16, K - 65, K - 83 FACADE,  
K - 100S, K - 130D &  
K - 130 FACADE



**MS CHEVRON 100243**  
K - 23, K - 83 FACADE,  
K - 130 FACADE



**MS CHEVRON 8603**  
K - 20S, K - 40D



**SS CHEVRON 641215**  
K - 16 OVAL



**ALU. 50255**  
120 DIG.



**ALU. 50155**  
120 DIG.



**ALU. 50155**  
60 DIG.



**MS 100155 180 DIG.**  
K - 39S, K - 65S, K - 95D,  
K - 100S, K - 130D, K - 83  
FACADE & K - FACADE

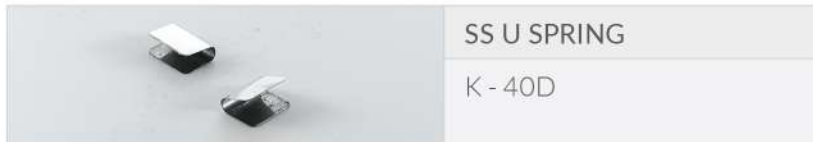




**MS 2002531 180 DIG.**  
K - 23S & K - 83 FACADE



**ABS CUBE JONT CORNER**  
K - 65S & K - 65 CUBE



**SS U SPRING**  
K - 40D



**SS HALF U SPRING**  
K - 20 SNAP, K - 83 FACAD,  
K - 130 FACADE



**WALL MOUNT**  
K - 16 OVAL



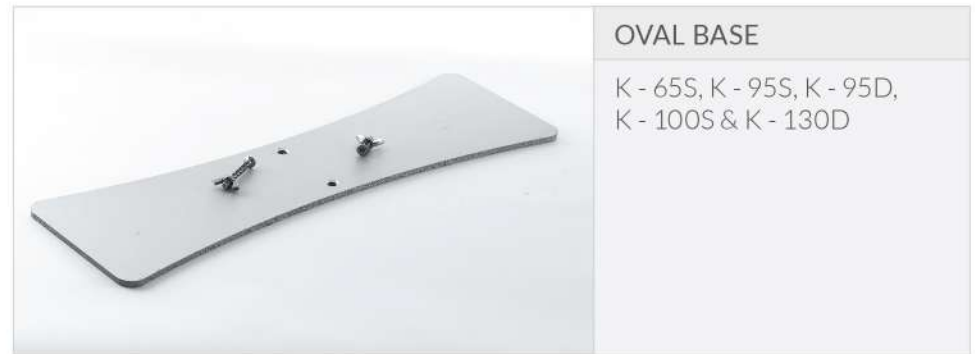
**PURE SILICON**  
15 X 3 MM



**DELTA BASE**  
K - 65S, K - 95S, K - 95D,  
K - 100S & K - 130D



**BIRD BASE**  
K - 65S, K - 95S, K - 95D,  
K - 100S & K - 130D

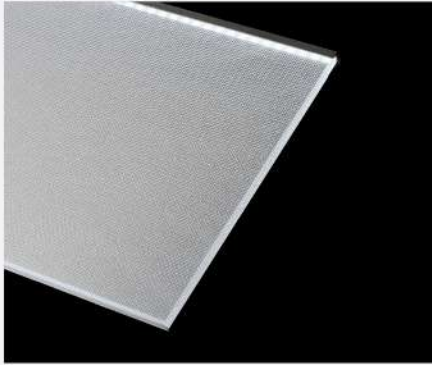


**OVAL BASE**  
K - 65S, K - 95S, K - 95D,  
K - 100S & K - 130D



**SS GRUB SCREW**  
SS L & KEY

## K - LGP



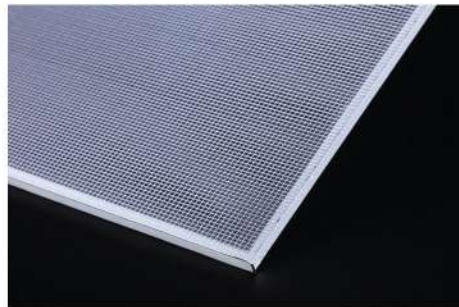
### Understanding LGP Sheets :

Definition of LED Light Sheet The unique construction of LED Light Sheet harnesses a number of patented processes which unite to create an innovative lighting unit. Produced by combining high intensity LEDs with a patented 3D V-Cutting system, this process allows light to be transmitted uniformly and evenly across the acrylic surface of the unit. A unified backlighting unit, LED Light Sheet features thermally managed LEDs which are securely embedded inside an acrylic sheet. This second patented process delivers a unit which is robustly constructed and easily installed in comparison to traditional backlighting units in which LED modules are fixed externally to an acrylic sheet. Each LED Light Sheet unit is manufactured in the UK by Applelec to bespoke requirements.



### HEAT SINK

HEAT SINK While cool to the touch, LEDs collect heat internally. Unless this heat is released, it can cause the LEDs to change color. Panels may then look inconsistent. Our patented heat sink shifts heat away from the LED panel better than competitors' versions. This is because only K-LGP heat sink is integrated with the LED panel, instead of in a frame surrounding it.



### LGP

3D V-CUTTING V-cutting is a patented process that gives K-LGP the grid look it's known for. It creates an evenly lit panel from the edges to the center and lets us produce large panels. How it works: a light is embedded into the sides of an acrylic panel. Grooves are then etched across the acrylic, connecting the light from one end of the panel to the other. They are widely spaced when close to the light source, and narrowly spaced when farther away. The placement of these grooves is different for every panel.

### FEATURES

- ▶ Available in custom sizes
- ▶ Full color customization
- ▶ Suitable for large scale surfaces
- ▶ High brightness (up to 10 000 lux)
- ▶ High CRI available
- ▶ Long LED lifespan (50 000+ hours)
- ▶ Rigid structure
- ▶ Easy to hang
- ▶ Energy saving and maintenance free (70% energy savings over traditional lighting)
- ▶ Superior consistent light quality
- ▶ Advanced 3-year warranty





#### FACTORY

S.No. 503/1, B/h, Ramdev Masala,  
Sarkhej-Bavla Highway, Village - Changodar,  
Dist. Ahmedabad, Gujarat.

**M** : +91 70432 16740

**E** : [karnialufab@gmail.com](mailto:karnialufab@gmail.com)

**W** : [www.karnialufab.com](http://www.karnialufab.com)  
[www.alusign.in](http://www.alusign.in)

